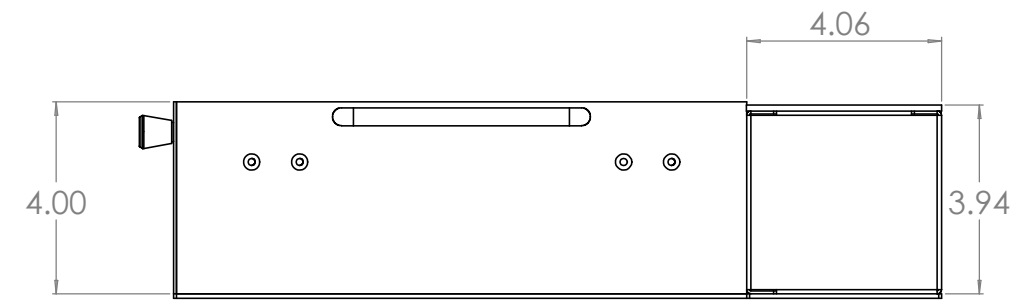
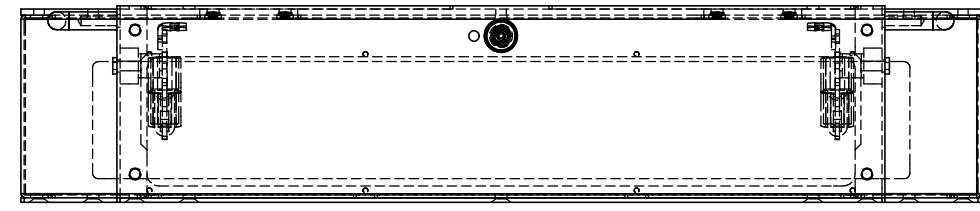
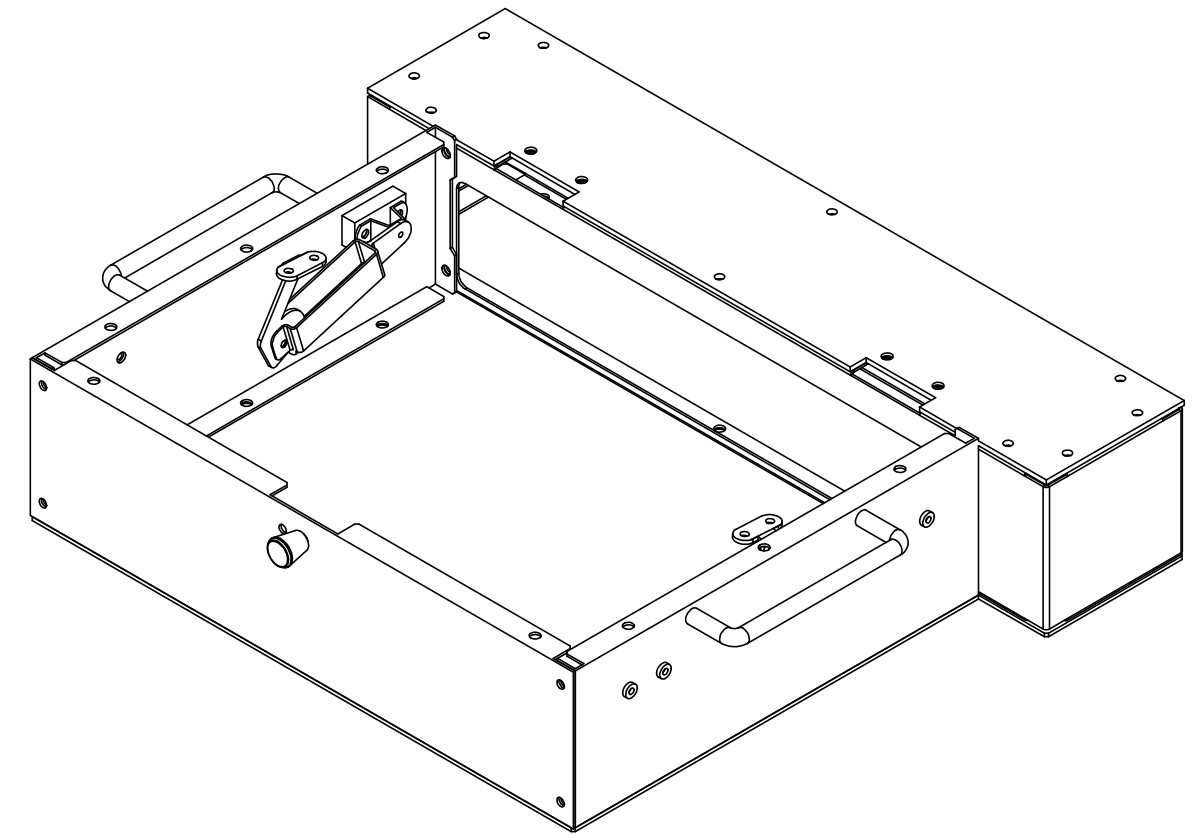
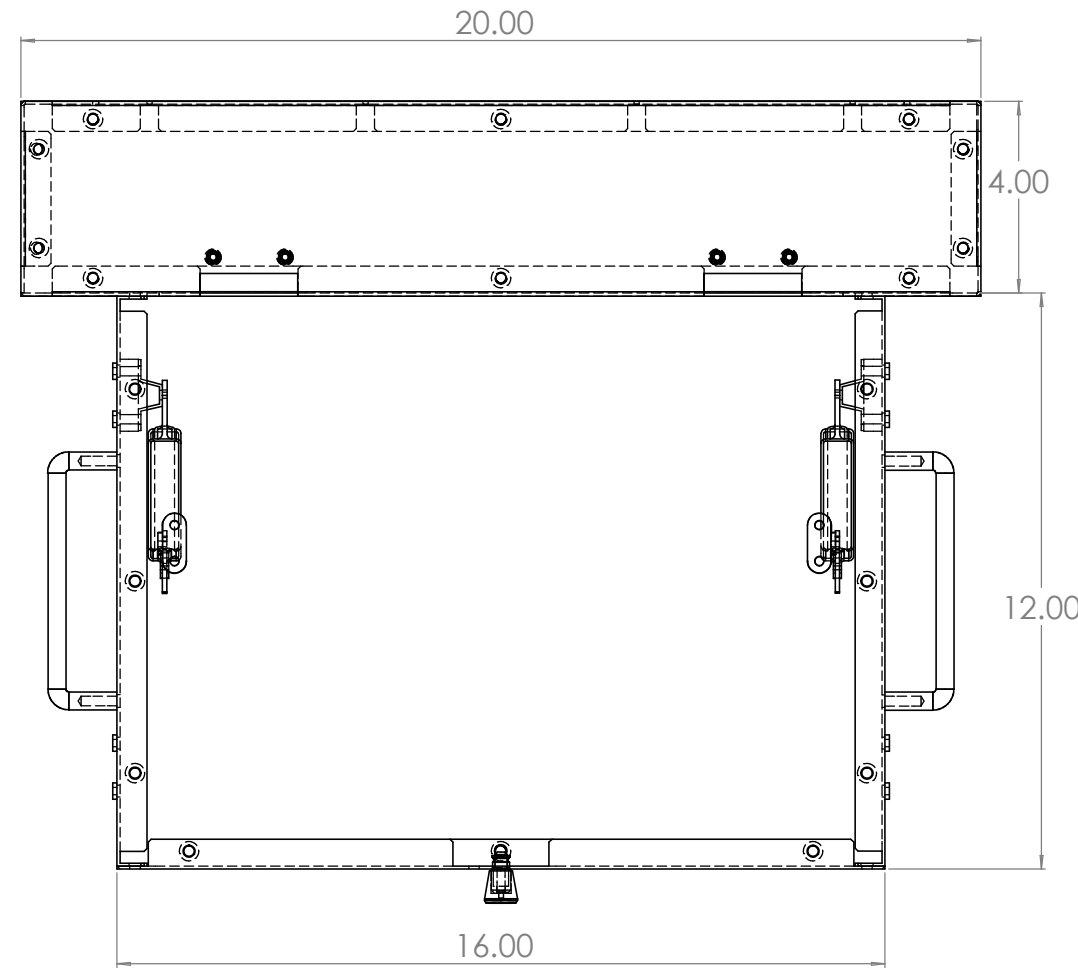



REV	DESCRIPTION	WHO	DATE
A	RELEASED PER ORIGINAL SPECIFICATION		



MATERIAL:		DRAWN BY		14 HIGH STREET PLAINVILLE, MA 02762																									
TREATMENT/FINISH:		DATE		(508) 384-8303																									
NEXT ASSEMBLY:		7/22/2024																											
<small>INTERPRET GEOMETRIC &amp; ELECTRICAL SYMBOLS PER ANSI STANDARDS</small> <small>UNLESS OTHERWISE SPECIFIED USE THE FOLLOWING</small>		CHECKED BY																											
<small>DEBURR &amp; BREAK ALL SHARP EDGES APPROXIMATELY 0.01 ± 45°</small>		DATE		<b>DESCRIPTION</b> <b>ASM-7004 PAN ASSEMBLY</b> <b>VP ITA G12 STYLE</b>																									
<small>DRAWING VIEWS PROJECTED USING 3RD ANGLE</small>		LAST SAVED BY																											
<b>SEMCO PROPRIETARY</b> <small>THIS DOCUMENT IS THE PROPERTY OF SEMCO MACHINE CORPORATION. IT IS TO BE RETURNED UPON REQUEST. REPRODUCTION BY ANY MEANS, DISCLOSURE, OR USE OF ITS CONTENTS FOR WHICH IT IS LOANED, WITHOUT WRITTEN CONSENT OF SEMCO MACHINE CORPORATION IS STRICTLY PROHIBITED.</small>		<table border="1"> <thead> <tr> <th>TOLERANCE OR DIMENSIONS</th> <th>125 INCH</th> <th>MAXIMUM MACHINE FINISH METRIC</th> <th>DATE</th> </tr> </thead> <tbody> <tr> <td>2 PLACE</td> <td>±.01</td> <td>±.25mm</td> <td></td> </tr> <tr> <td>3 PLACE</td> <td>±.005</td> <td>±.127mm</td> <td></td> </tr> <tr> <td>4 PLACE</td> <td>±.0005</td> <td>±.0127mm</td> <td></td> </tr> <tr> <td>ANGLES</td> <td>±30'</td> <td>±30'</td> <td></td> </tr> </tbody> </table>		TOLERANCE OR DIMENSIONS	125 INCH	MAXIMUM MACHINE FINISH METRIC	DATE	2 PLACE	±.01	±.25mm		3 PLACE	±.005	±.127mm		4 PLACE	±.0005	±.0127mm		ANGLES	±30'	±30'		<table border="1"> <thead> <tr> <th>APPROVED BY</th> <th>RELEASE DATE</th> </tr> </thead> <tbody> <tr> <td></td> <td></td> </tr> </tbody> </table>		APPROVED BY	RELEASE DATE		
TOLERANCE OR DIMENSIONS	125 INCH	MAXIMUM MACHINE FINISH METRIC	DATE																										
2 PLACE	±.01	±.25mm																											
3 PLACE	±.005	±.127mm																											
4 PLACE	±.0005	±.0127mm																											
ANGLES	±30'	±30'																											
APPROVED BY	RELEASE DATE																												
<small>SIZE</small> D		<small>PART/ASSEMBLY NUMBER</small> 		<small>REV</small> 																									
SCALE 1:2		SHEET 1 of 1																											